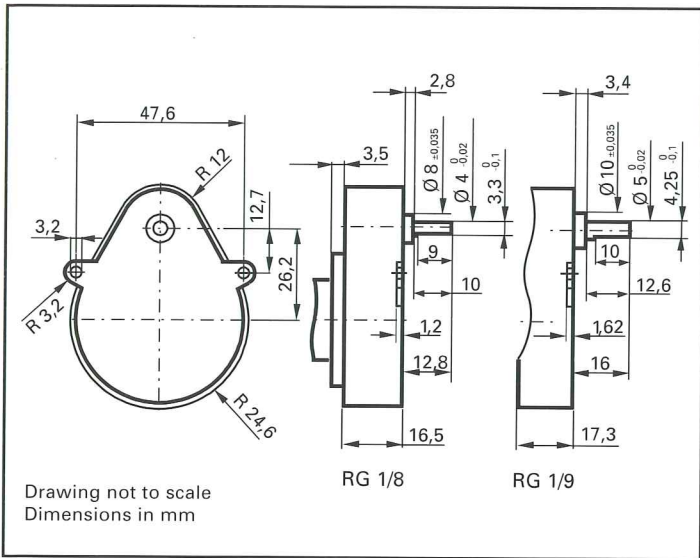


High performance gearbox options

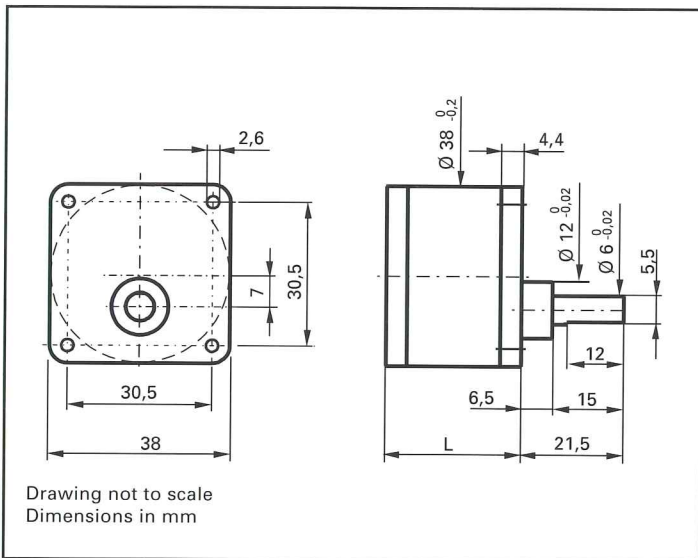
Ovoid spur gearboxes RG 1/8 and RG 1/9



	RG 1/8		RG 1/9					
Continuous torque rating	0.6 Nm		1.2 Nm					
Static output torque	1 Nm		2 Nm					
Max. recom. input speed	5000 rpm		5000 rpm					
RG1/8	5.5	12	48	480	1200			
	24	96	750	1920				
Reduction ratios	150		3000					
Weight	g	64	66	68	70	72		
RG1/9	4.25	9	18	48	180	360	1620	
	12	24	90		810			
Reduction ratios	12		24		90		810	
Weight	g	86	88	90	92	95	98	102
RG 1/8 + RG 1/9								
Efficiency		0.8	0.7	0.65	0.6	0.55	0.5	0.45
Rotation	cw/ccw	cw	ccw	cw	ccw	cw	ccw	cw

Standard version with sleeve bearings
Average backlash 1.5° (RG 1/8) or 2.5° (RG 1/9) at no-load
Available for the M 8000 and M 9000 motor series

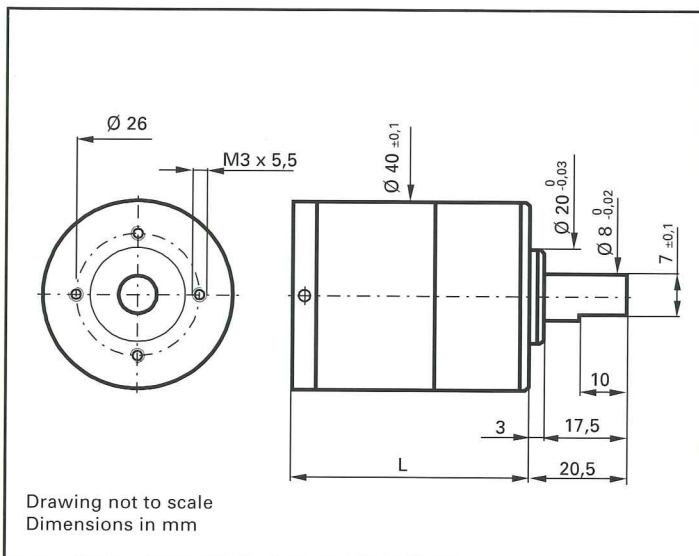
Spur gearbox K 38.0



Continuous torque rating	0.6 Nm					
Static output torque	1.8 Nm					
Max. recom. input speed	5000 rpm					
Reduction ratios	6	18	60	200	500	
	10	30	100		900	
Efficiency	0.81	0.73	0.65	0.6	0.55	
Length L	mm	23.6	26.1	28.6	31.1	33.6
Rotation	cw/ccw	cw	ccw	cw	ccw	cw
Weight	g	55	60	65	70	75

Standard version with sleeve bearings
Average backlash 1.7° at no-load
Available for the M 8000 and M 9000 motor series

Spur gearbox K 40.0



Continuous torque rating	2 Nm					
Static output torque	6 Nm					
Max. recom. input speed	5000 rpm					
Reduction ratios	5	10	20	60	180	
		15	30	90	270	
			45	135	405	
Efficiency	0.8	0.7	0.65	0.6	0.55	
Length L	mm	40	40	50	50	50
Rotation	cw/ccw	cw	ccw	cw	ccw	cw
Weight	g	120	125	145	150	155

Standard version with ball bearings
Average backlash 2.5° at no-load
Available for the M 9000 and M 14000 motor series